



**VERSATILE
ROBUST ENCLOSURE
ROTARY SWITCHES**

The RT-VWSB is a robust switching box used to group multiple sensors in a single location providing a convenient mean of taking readings.

Description

The **RT-VWSB** consists of a fiberglass enclosure containing terminal blocks, rotary switches, cable input connectors and sockets for portable readout connection.

The switching box can handle up to twenty 4-conductor sensors, and allows lightning protection to be added for each of these conductors.

The **RT-VWSB** may be fitted with an **RT-MUX** multiplexer for use with a **SENSLOG 1000X** data acquisition system. This option is available in 8- or 16-channel versions only. Please refer to the **SENSLOG 1000X** brochure for more information about the **RT-MUX**. Connection to another type of data acquisition system — not requiring the **RTX-MUX**— is also possible through a 40-pin adapter cable (available upon request).

Key Features

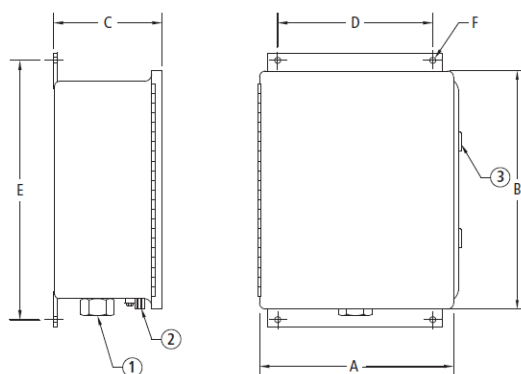
- Rugged and splashproof
- Up to 20 channels, 4 conductors
- Non-corrosive fiberglass enclosure
- Stainless steel & metallic enclosures available
- Lightning protection available
- Multiplexer available

Applications

- Group multiple sensors in a single location

Specifications

ENCLOSURE	12 × 8 in. NEMA 4X gray fiberglass
ROTARY SWITCH	
Manual switching	Contact resistance : 50 MΩ max. Insulation resistance: 1000 MΩ min.
Automatic switching (with RTX-MUXoption)	Two 0.5 V ports required (CLK, RST) ⁽¹⁾ Four 0.5 V ports required (2 CLK, RST) ⁽²⁾
DIMENSIONS	
A	292 mm
B	302 mm
C	133 mm
D	203 mm
E	355 mm
F	6.35 mm (diameter)



- 1 - Optional 50-mm (2 in.) conduit connector
- 2 - Grounding lug
- 3 - Cover latch

Ordering Information

MODEL RT-VWSB XX-A-B-C-D-E

XX Number of positions	08	8 positions (for RTX-248 multiplexers only)
	16	16 positions (for RTX-248 multiplexers only)
	10	10 positions
	20	20 positions
A Enclosure	0	Fiberglass enclosure
	A	Steel (10 and 20 positions only)
	B	Stainless steel (10 and 20 positions only)
B Lightning protection	0	No protection (standard)
	A	Gas tube (10 and 20 positions only)
	B	Gas tube and diode
C RTX-248 multiplexer	0	No RTX-248 (standard)
	A	RTX-248A (16 positions only) ⁽¹⁾
	C	RTX-248C (16 positions only – 2 separately addressable RTX-248F) ⁽²⁾
	F	RTX-248F (8 positions only) (1)
D Cable input connector	0	No connector (standard)
	A	50 mm (2 in.) conduit connector
	B	10 plastic watertight connectors (fiberglass enclosure only)
	C	20 plastic watertight connectors (fiberglass enclosure only)
	D	8 plastic watertight connectors (fiberglass enclosure only)
	E	16 plastic watertight connectors (fiberglass enclosure only)
	F	10 zinc-plated steel watertight connectors
	G	20 T&B (metallic box only)
E Front panel connector	0	4 female pins (standard)
	A	4 female pins plus 6-pin Cannon connector (adapted jumper cable required)

Other configuration available upon request